

The PASVE® SC/SF/SH/SP/ST is a miniature ball valve which readily accepts commercially available septum hygienic rubbers. The PASVE® SC/SF/SH/SP/ST provides you with the opportunity of taking hygienic samples from your process without interrupting the process.

The PASVE® SC/SF/SH/SP/ST can be used in any industrial process where it is necessary obtain a sample from the process which is not influenced or contaminated from any outside disturbances.

The PASVE® SC/SF/SH/SP/ST is a member of the Satron PASVE® Series, which is commonly used with pH probes, oxygen sensors and Satron's high precision patented pressure and level transmitters.



## Technical Specifications

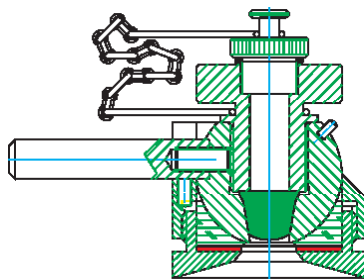
Material  
Housing: AISI316L  
Gasket: PTFE / Silicone rubber seal

Max. process pressure:  
10 bar (150 psi)  
(subject to type of rubber septum selected)

Max. process temperature:  
120 °C (250 °F) (subject to type of rubber septum selected)

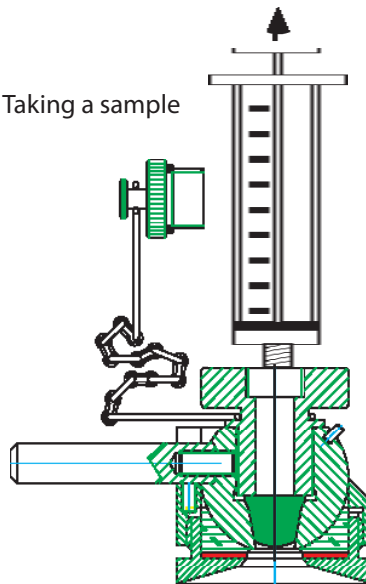
## Operation

Position of taking a sample

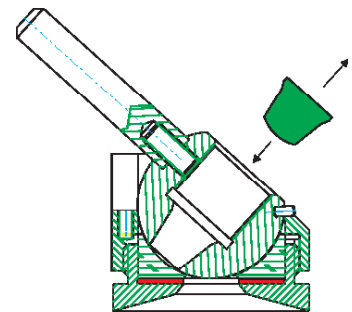


PROCESS

Taking a sample

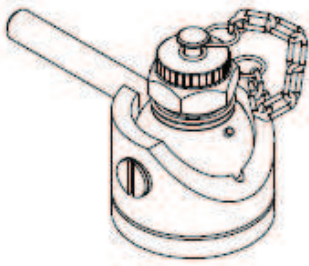


Changing the rubber septum

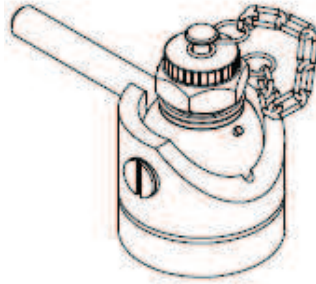


PASVE is the registered trademark of Satron Instruments Inc.

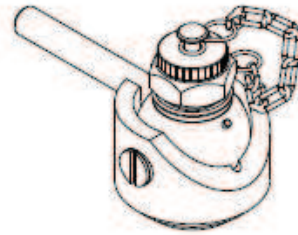
*We reserve the right for technical modifications without prior notice.*



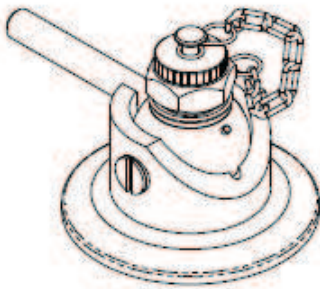
**PASVE SC**



**PASVE SC - 10**

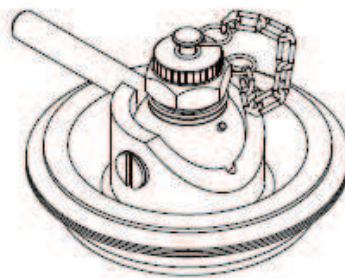


**PASVE SP**



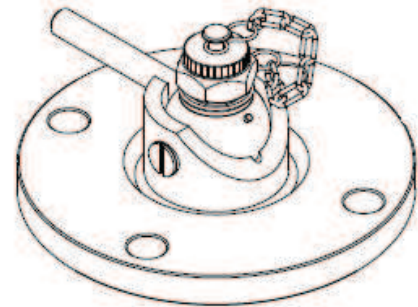
**PASVE SH**

- Tri-Clamp, sizes DN25/DN38 and DN40/51



**PASVE ST**

- Tuchenhagen, sizes DN25/DN32 and DN40/DN50



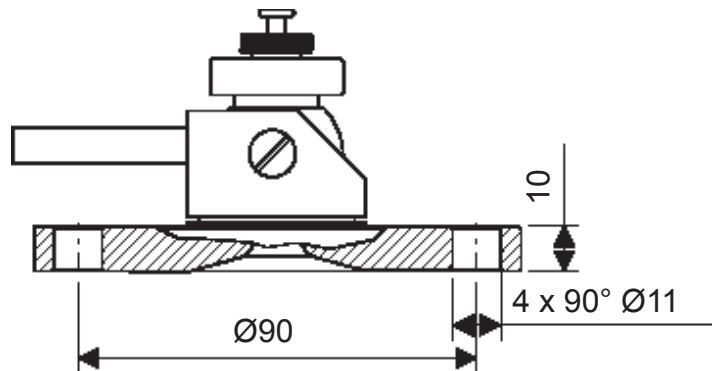
**PASVE SF**

- Flange SF D110 APV-FN1-50
- Flange SF D110

**Dimensions (in mm)**

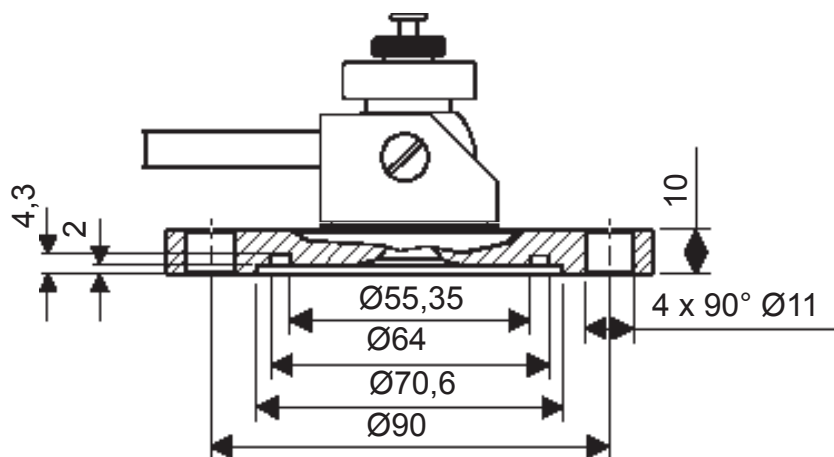
**PASVE SF**

- Flange SF D110
- Outer diameter of flange is 110 mm

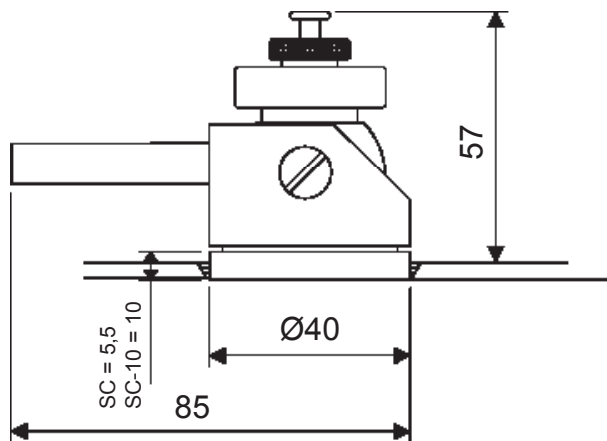


**PASVE SF**

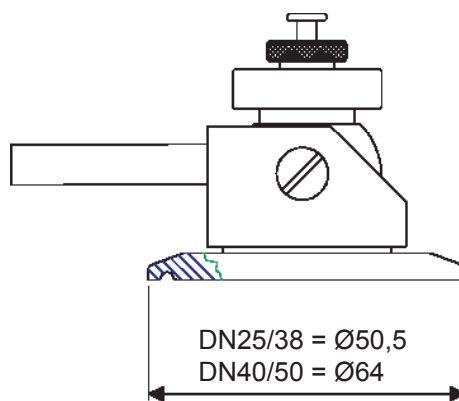
- Flange SF D110 APV-FN1-50
- Outer diameter of flange is 110 mm



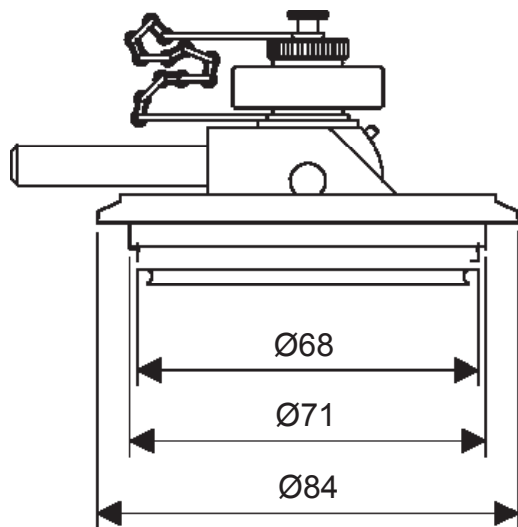
Dimensions (in mm)



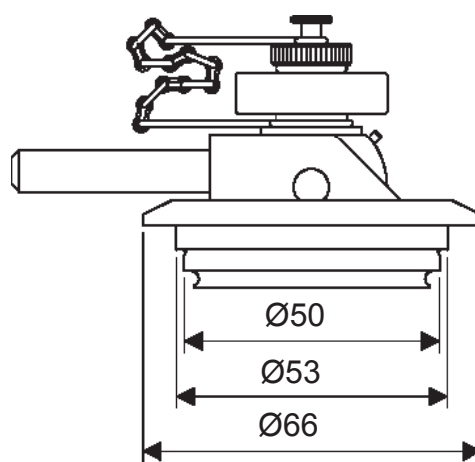
PASVE SC  
and SC - 10



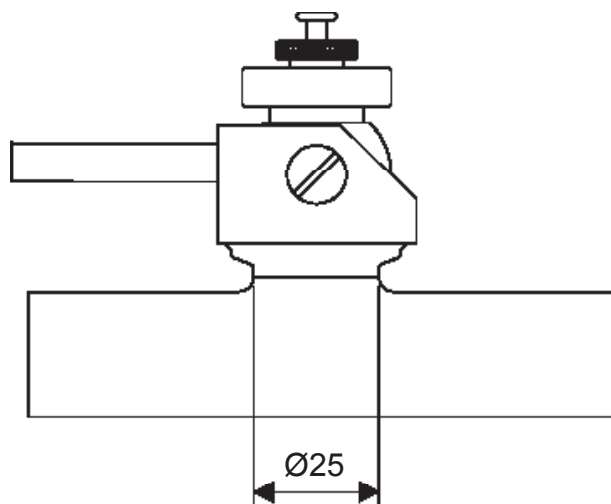
PASVE SH (Tri-Clamp)  
- Sizes DN25/38 and DN40 / 51



PASVE ST (Tuchenhagen)  
- Size DN40 / 50

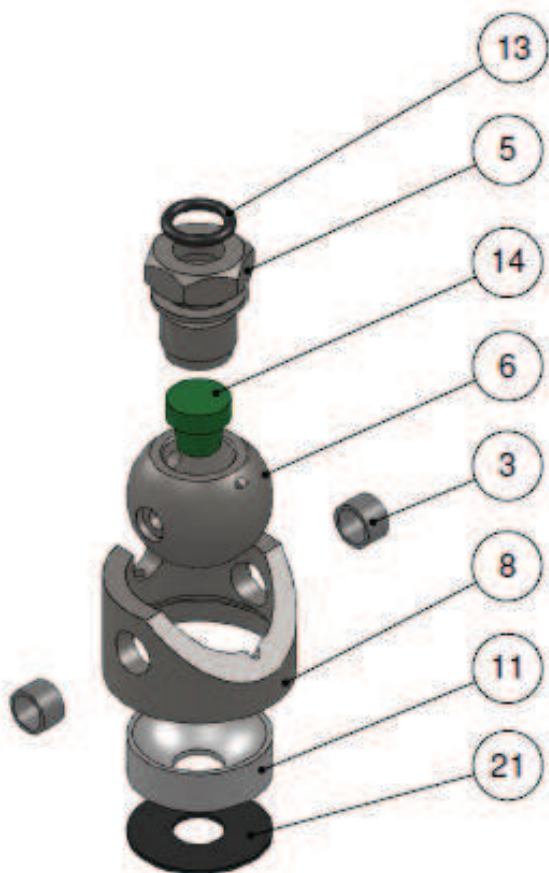


PASVE ST (Tuchenhagen)  
- Size DN25 / 32



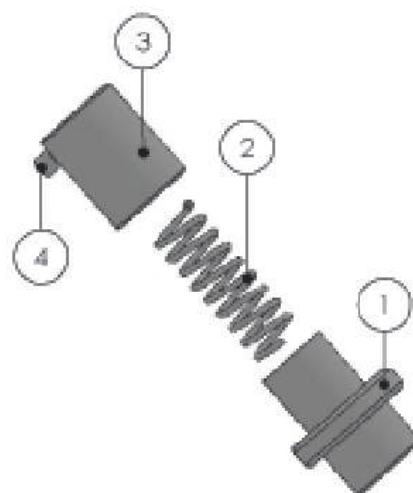
PASVE SP

### Upgrade kit



Part no.	Part name	Order code
3	Bearing	V10103004
5	Special nut V	T1010344
6	Valve ball V	T1010342
8	Valve body LV	T1010343
11	Gasket	V10103012
13	O-ring Ø11,3 x 2,4 NBR	80001101
14	Rubber septum	V10103014
21	Rubber seal	T1010331
Upgrade kit, assembly		M1010043

### Protection kit



Part no.	Part name	Order code
1	Pull-out sleeve	T1010338
2	Spring	T1010341
3	Locking sleeve	T1010339
4	Retaining screw M4x4 DIN916 A4	53002440
Protection kit 2, assembly		M1010042