

Installation and Setting-Up Instructions Spare Parts List

Contents:

1 INSTALLATION

- 1.1 Mechanical installation
- 1.2 Electrical connections

2 SETTING UP

- 2.1 Using the 275 user interface
- 2.2 Setting up through HART® 275 user interface
- 2.3 Using the 375 user interface
- 2.4 Setting up through HART® 375 user interface
- 2.5 Setting up with Satron-pAdvisor Service Software

3 CONSTRUCTION AND OPERATION

4 PARTS LIST



DOCUMENTS

Technical Specifications: BLV811

Installation and Setting-Up Instructions: BLV811AV

We reserve the right for technical modifications without prior notice.
HART® is a registered trademark of HART Communication Foundation.
Hastelloy® is the registered trademark of Haynes International.
Viton® is the registered trademark of DuPont Down Elastomers.



Satron Instruments Inc.

P.O.Box 22, FIN-33901 Tampere, Finland
Tel.int. +358 207 464 800, Telefax +358 207 464 801
www.satron.com, info@satron.com

1 INSTALLATION

VVF_e pressure transmitter is suitable for liquid level measurements in ground and rock tanks, and in open channels and ships' tanks. Transmitters can also be used in corrosive conditions and to measure contaminating liquids.

1.1 Mechanical installation

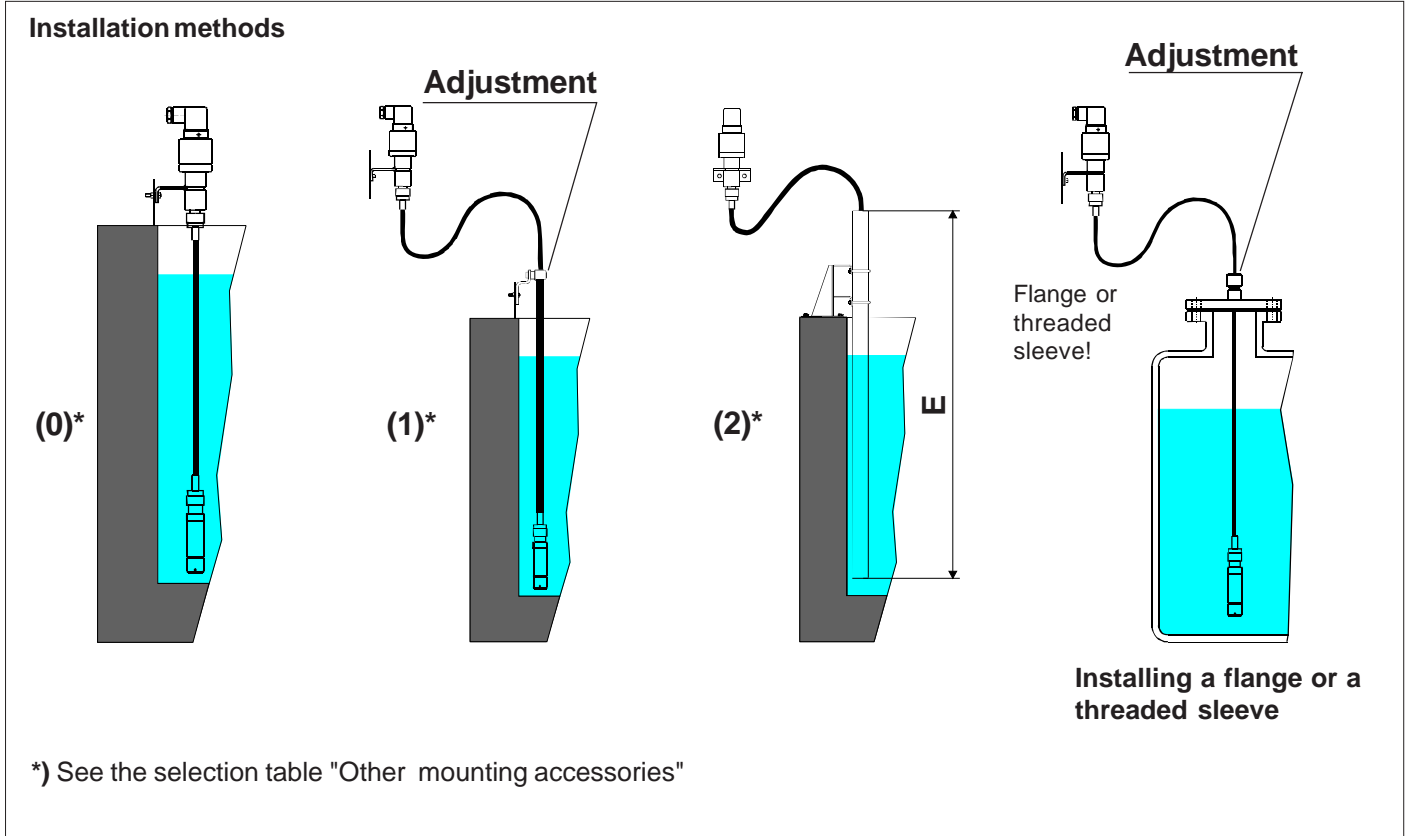
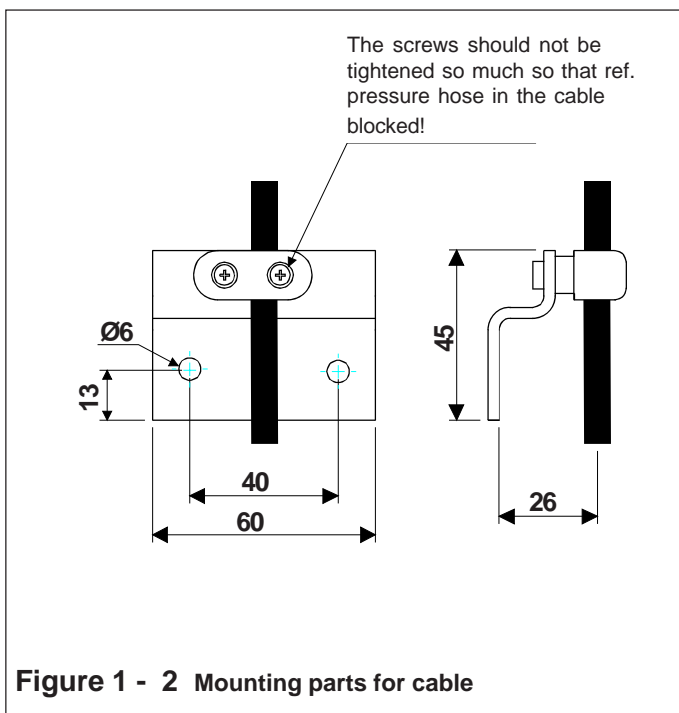


Figure 1-1 Installation methods



Mounting recommendations:

- Process connection direction: vertical
- Cable entry direction: horizontal
- Connector coupling direction, calibration direction:
 - vertical or horizontal

Other considerations:

- Equipment cabinet is recommended for extremely demanding conditions. The equipment cabinet can be provided with heating.
- Freezing of condensed water in reference pressure port must be prevented.

Dimensions (mm)

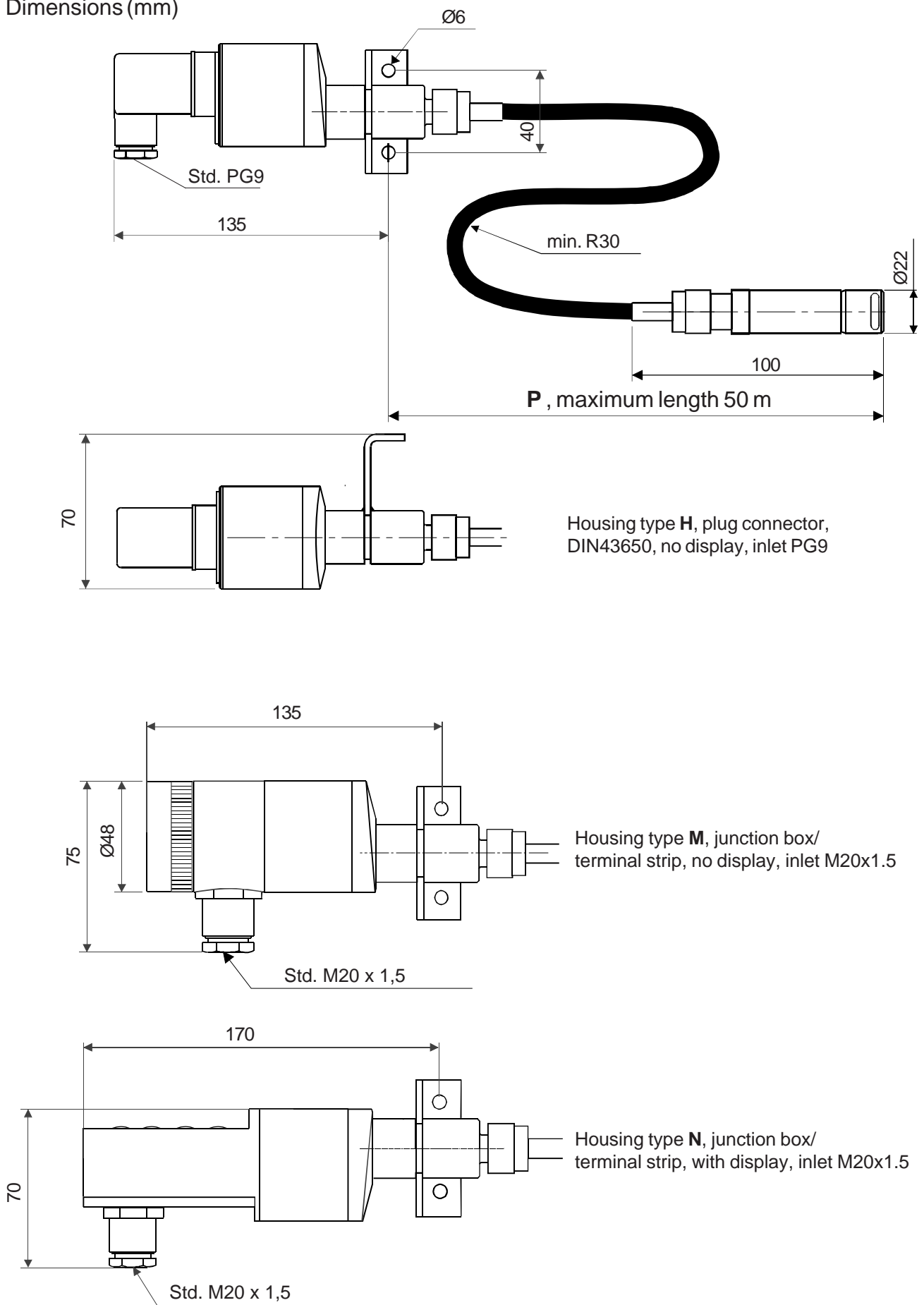


Figure 1-3a Dimensional drawings

Dimensions (mm)

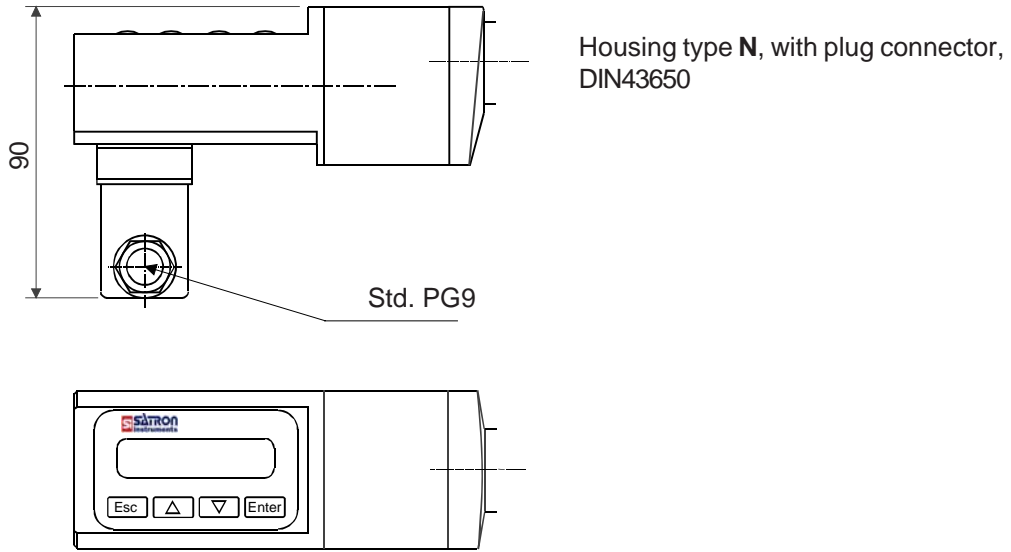


Figure 1-3b Dimensional drawings

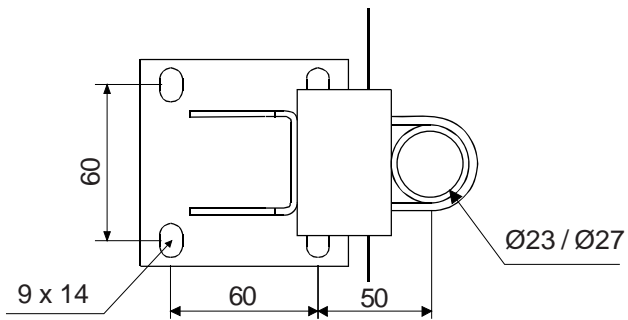
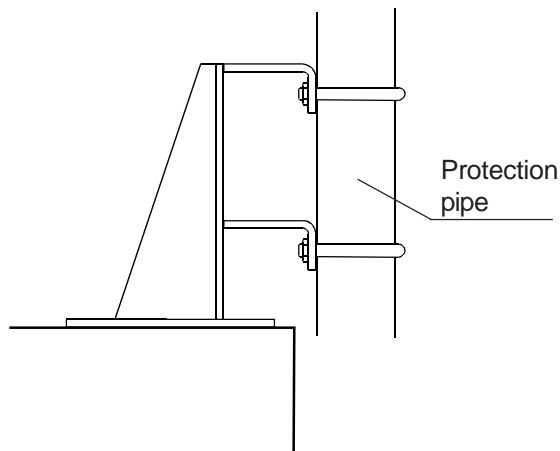


Figure 1 - 4
Clamp mounting on angle bracket
- mounting accessories code 1

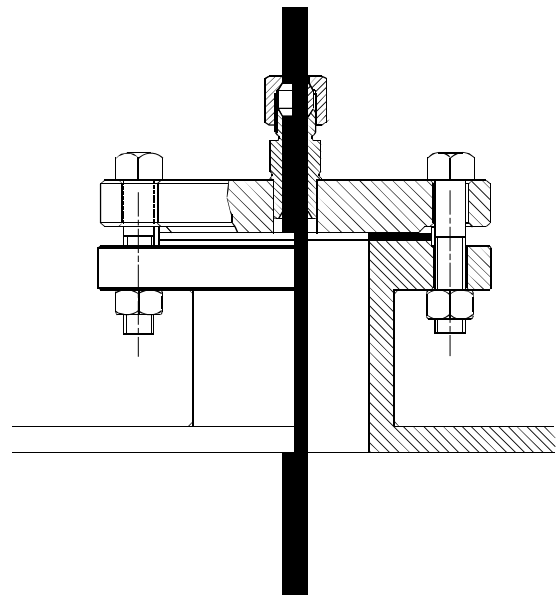


Figure 1 - 5
Flange mounting

1320354013

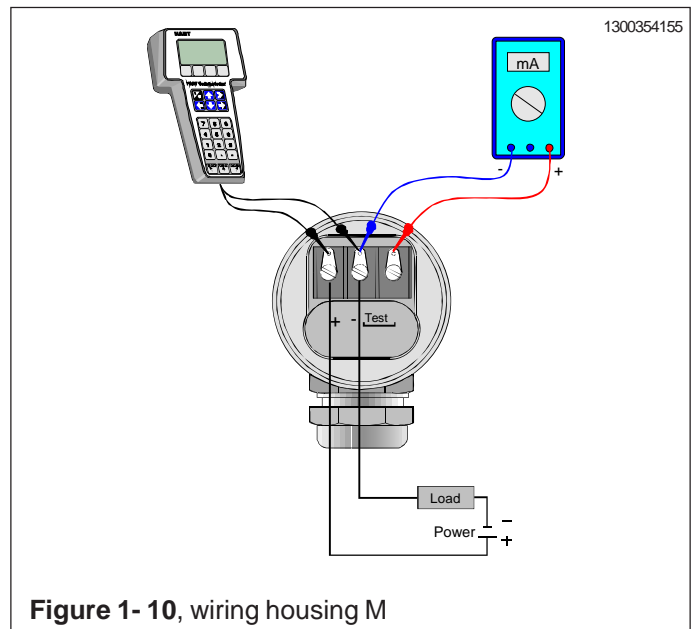
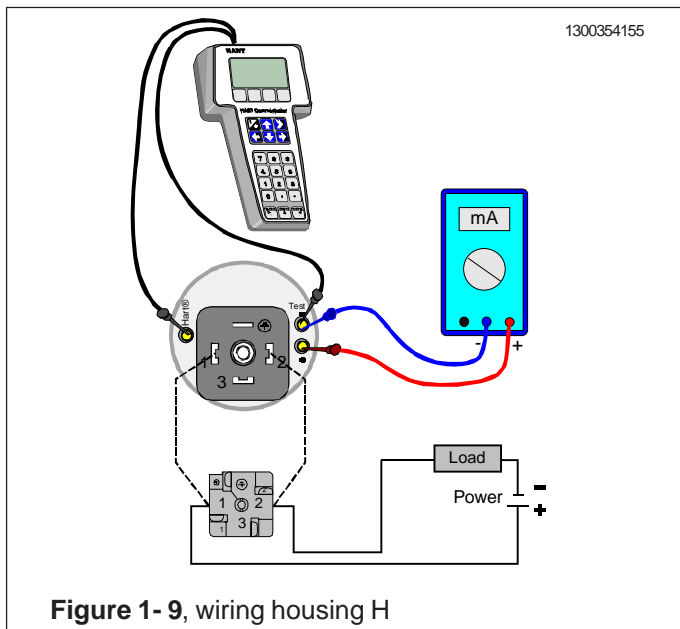
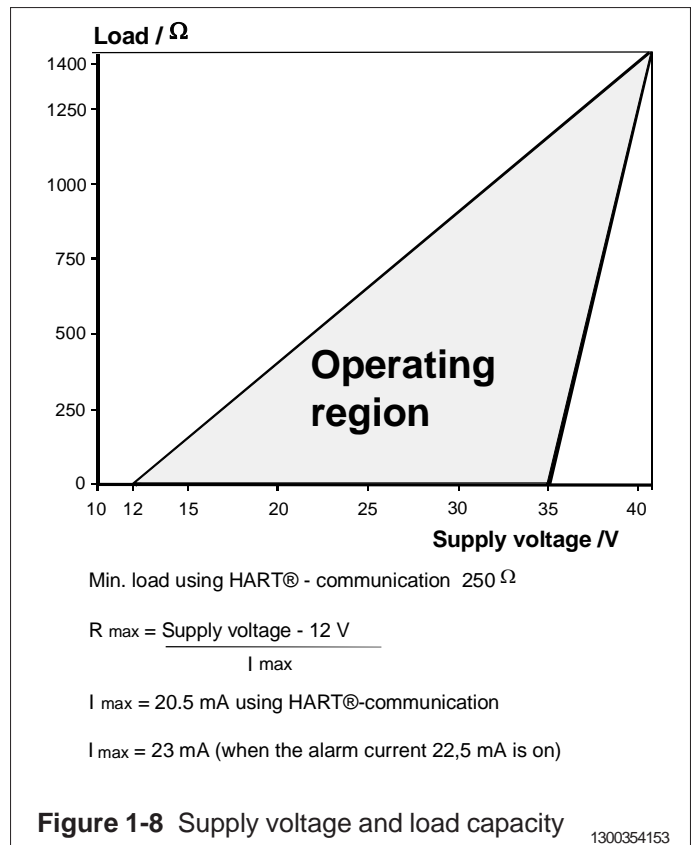
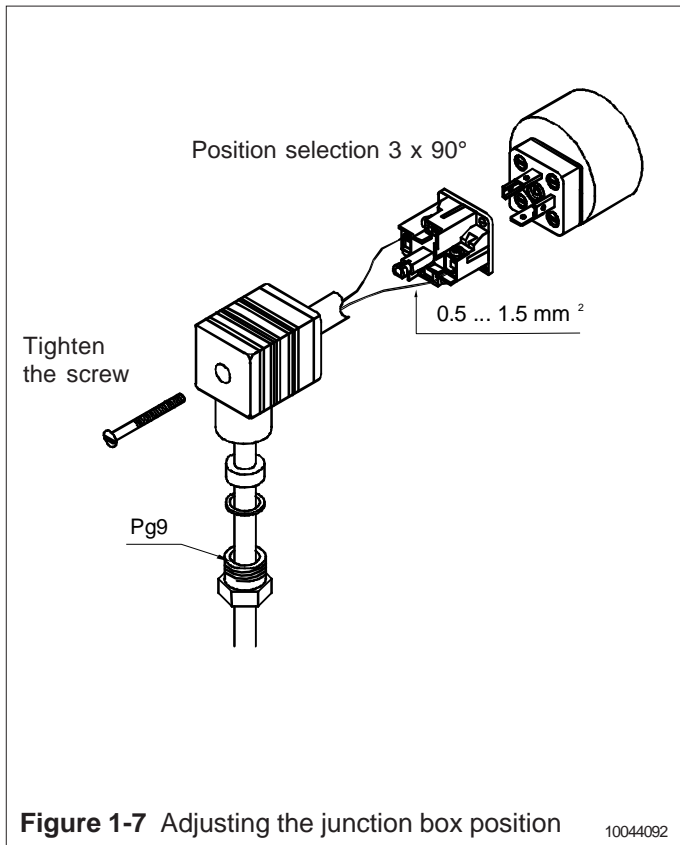
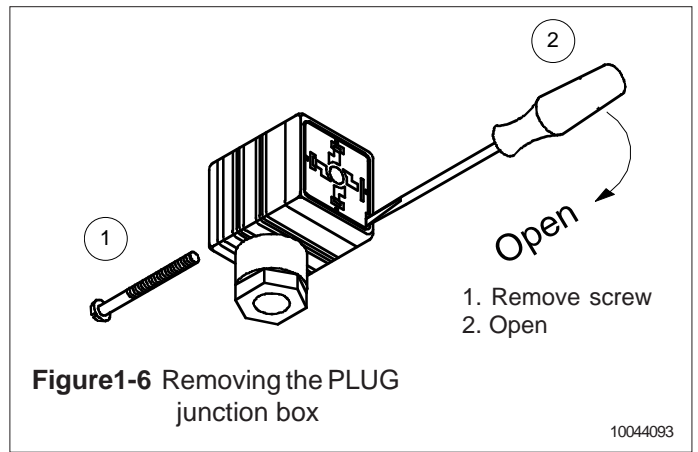
1.2 Electrical connections

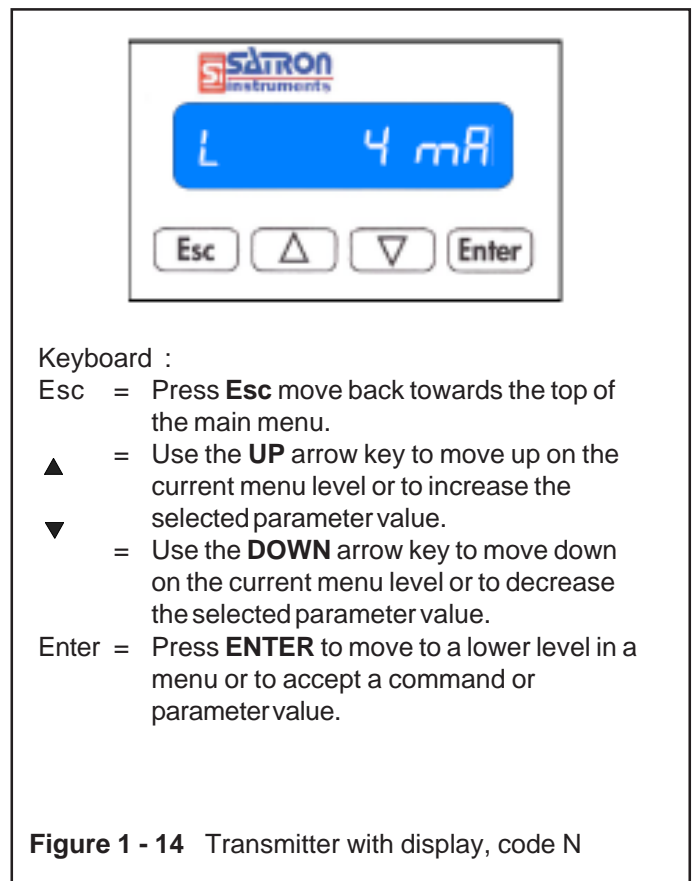
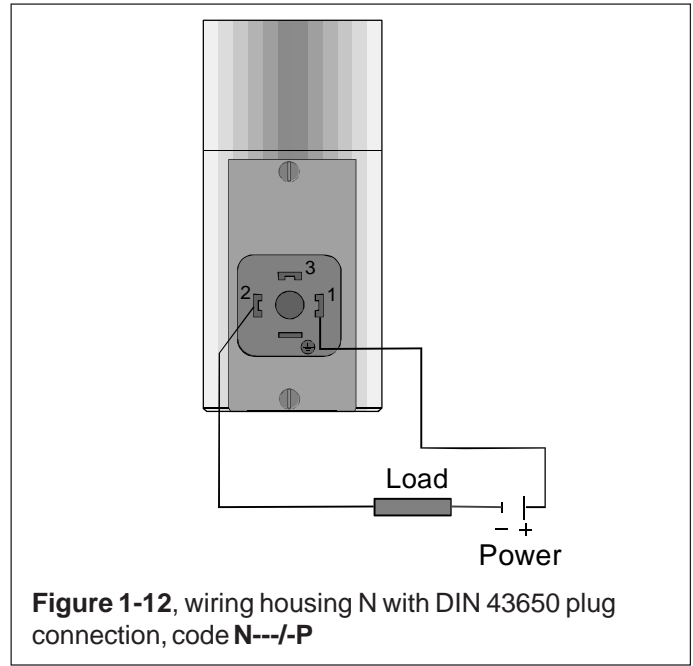
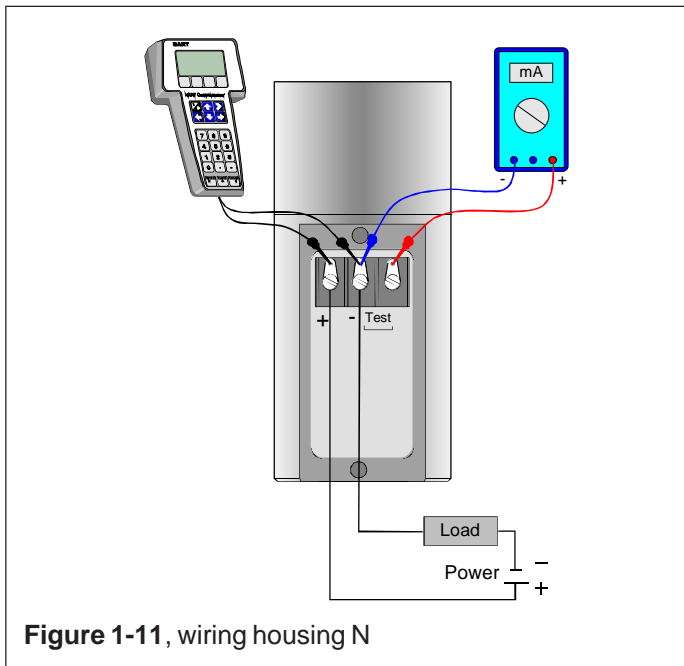
Supply voltage and load of the transmitter according to the figure 1-8.

We recommend shielded twisted-pair cable as signal cable.

The signal cable should not be installed near high-voltage cables, large motors or frequency converters.

The shield of the cable is grounded at the power supply end or according to the recommendations of the manufacturer of the used control system.





2 SETTING UP

Setting up is dependent on type of user interface and loaded description **VALMET** or **SATRON**. Also must be noted that when the older **VALMET** description is in use then the transmitter must be configured so that it can operate with the old **VALMET** description.

The change from description to another is made by writing to **MESSAGE**-field either. **VALMET** or **SATRON** (Note, capital letters and dot in front). After writing the message the new description will be activated by switching transmitter's power **OFF** and **ON** again.

2.1 Using the 275 user interface

Operation keys

The six operation keys are located above the alphanumeric keyboard:

The ON/OFF key (**I/O**) switches the user interface on and off. When you switch the user interface on, it starts looking for a HART® transmitter connected to it. If the transmitter is not found, the message “**No Device Found. Press OK**” will be displayed.

The **ONLINE** menu is displayed when the user interface finds the transmitter.

(**^**) This key allows you to move upwards in menus and scroll lists forwards.

(**v**) This key allows you to move downwards in menus and scroll lists backwards.

(**<**) This two-function key allows you to move the cursor to the left and to go back to a previous menu.

(**>**) This two-function key allows you to move the cursor to the right and to select a menu option.

(**>>>**) The quick-selection key will start the user interface and display the quick-selection menu. You can define the desired menu as quick-selection menu.

Function keys

With function keys F1, F2, F3 and F4 you can perform the program functions displayed above each function key. When you move in the software menus, the functions of these keys will change in accordance with the currently selected menu.

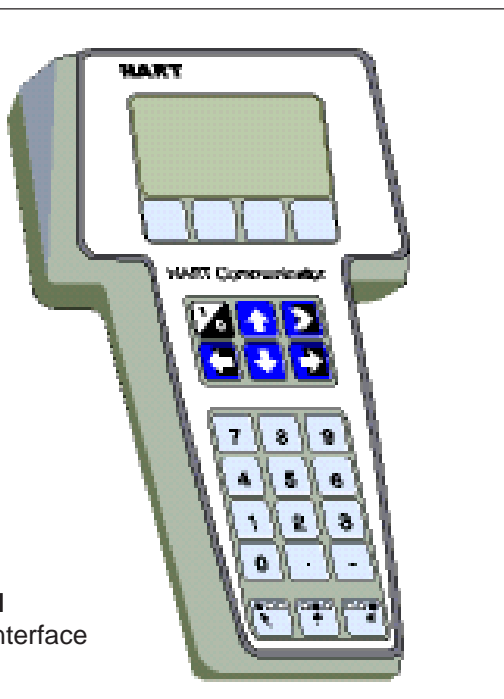


Figure 2-1
275 user interface

2.2 Setting up through HART® 275 user interface

After installing and connecting the transmitter, connect the user interface to the transmitter. The following menu is displayed:

- 1 Measurement
- 2 Configuration
- 3 Information
- 4 Diagnostics

To change the measuring range, unit damping time constant to output mode (linear/square-root), select **Configuration**.

The following menu is then displayed:

- 1 Range values
- 2 Detailed config

To change the measuring range, select **Range values**.

The selection displays the following menu:

- 1 LRV (lower range value)
- 2 URV (upper range value)
- 3 LSL (lower sensor limit)
- 4 USL (upper sensor limit)
- 5 Min span (minimum span)
- 6 Apply values

To change the measurement unit, damping time constant or output mode, select **Detailed config** from the **Configuration** menu.

The selection displays the following menu:

- 1 Damping
- 2 Pres. unit
- 3 Tempr. unit
- 4 Alarm current
- 5 Write protect
- 6 Lin. func
- 7 Diff EI status
- 8 Burst mode
- 9 Burst option
- Poll addr
- Tag
- User function
- User funct. setup

After these activities or if the transmitter is supplied with the ready configuration you must correct a zero error of the transmitter in a final installation position.

Press **Diagnostics** and **PV Zero calibr**.

The selection displays the following menu: **Give correct value for Zero pressure in ...**

The current zero point will be shown in display and the final zero error correction can be done.

2.3 Using the 375 user interface



The following menu is then displayed:

- 1 **Measurement**
- 2 **Configuration**
- 3 **Information**
- 4 **Diagnostics**
- 5 **Review**

To change the measurement unit, damping time constant or output mod, select **Configuration**.

The following menu is then displayed:

- 1 **Range values**
- 2 **Output**
- 3 **Transfer function**
- 4 **General setup**

To change the measurement unit, select **Range values**.

The following menu is then displayed:

- 1 **LRV**
- 2 **URV**
- 3 **LSL**
- 4 **USL**
- 5 **Min span**
- 6 **Apply values**

To change the damping time constant, select **Output** from the **Configuration** menu.

The following menu is then displayed:

- 1 **Damping**
- 2 **Alarm current**

To change the output mode, select **Transfer function** from the **Configuration** menu.

The following menu is then displayed:

- 1 **Lin. func**
- 2 **User function data**

After these activities or if the transmitter is supplied with the ready configuration you must correct a zero error of the transmitter in a final installation position.

The First press **Diagnostics** and then **Sensor trim** and then **Zero trim**

The following text is then displayed : *WARN-Loop be removed from automatic control*

The final zero error correction can be done to select **ABORT** or **OK** on the display .

2.4 Setting up through HART® 375 user interface

After installing and connecting the transmitter, connect the user interface to the transmitter. The following menu is displayed: **Main menu**. To select the **HART Application**.

2.5 Setting-up with Satron-pAdvisor Service Software

When you will have available all the operations of the Smart transmitter, we recommend the use of Satron-pAdvisor Service Software and Satron SI-Tool_e USB-Hart-modem in setting-up.

Test connections for configuration and pressure/ output current values checking and calibration and for SENSOR TRIM function

Recommended equipment for calibration

Satron-pAdvisor service software for SATRON Smart transmitter (can be loaded free of charge from www.satron.com)

PC: operating system Win-98, Windows 2000 or Windows XP)

DMM: Digital multimeter, basic DCV accuracy better than 0,01 % of reading (for example Fluke 8840A, Keithley 2000)

Cal. pressure generation and measurement device (accuracy better than 0,03 % of reading)

USB-Hart modeemi, Satron SI Tool_e, tilauskoodi: **M1330001**

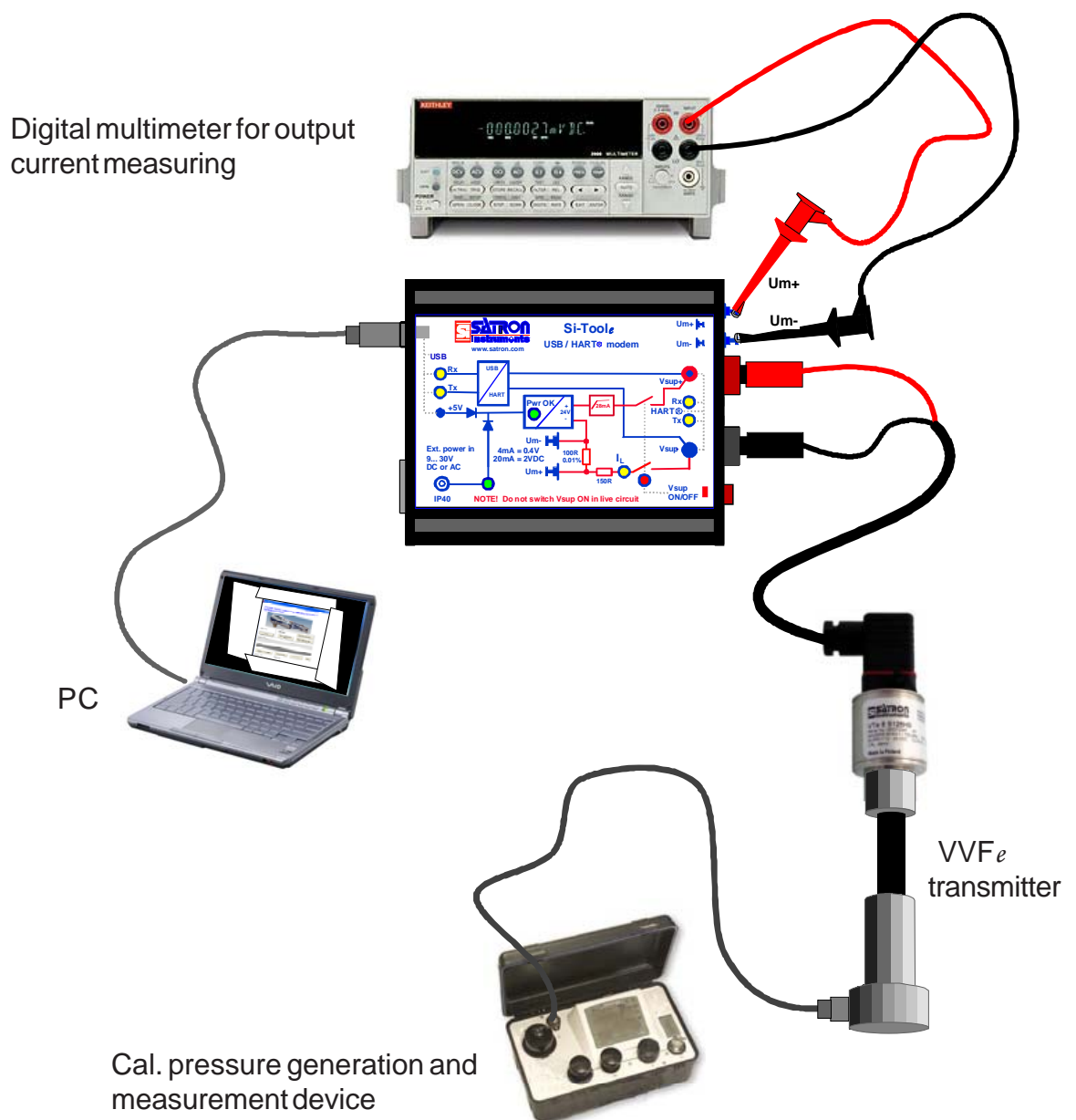
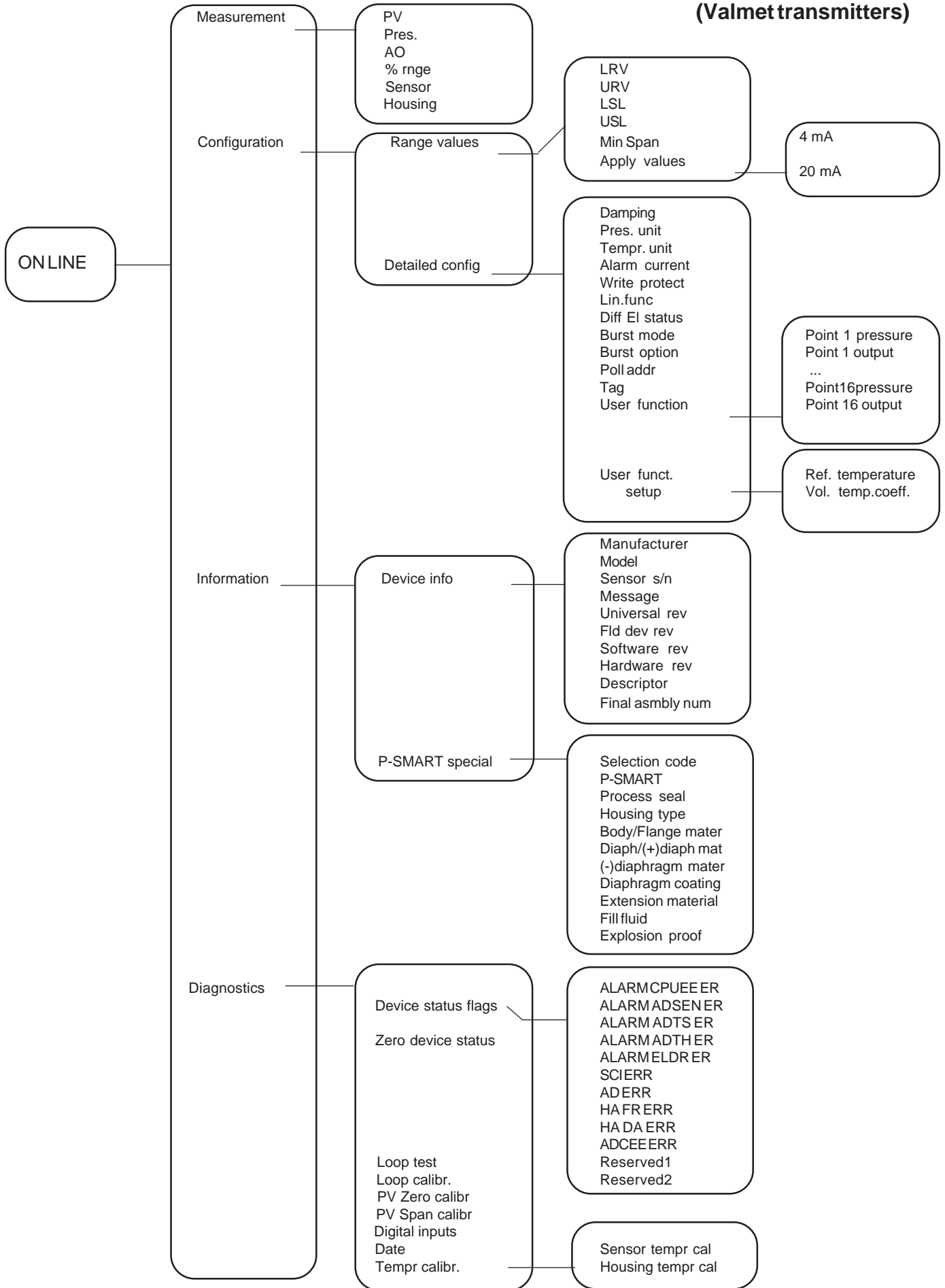
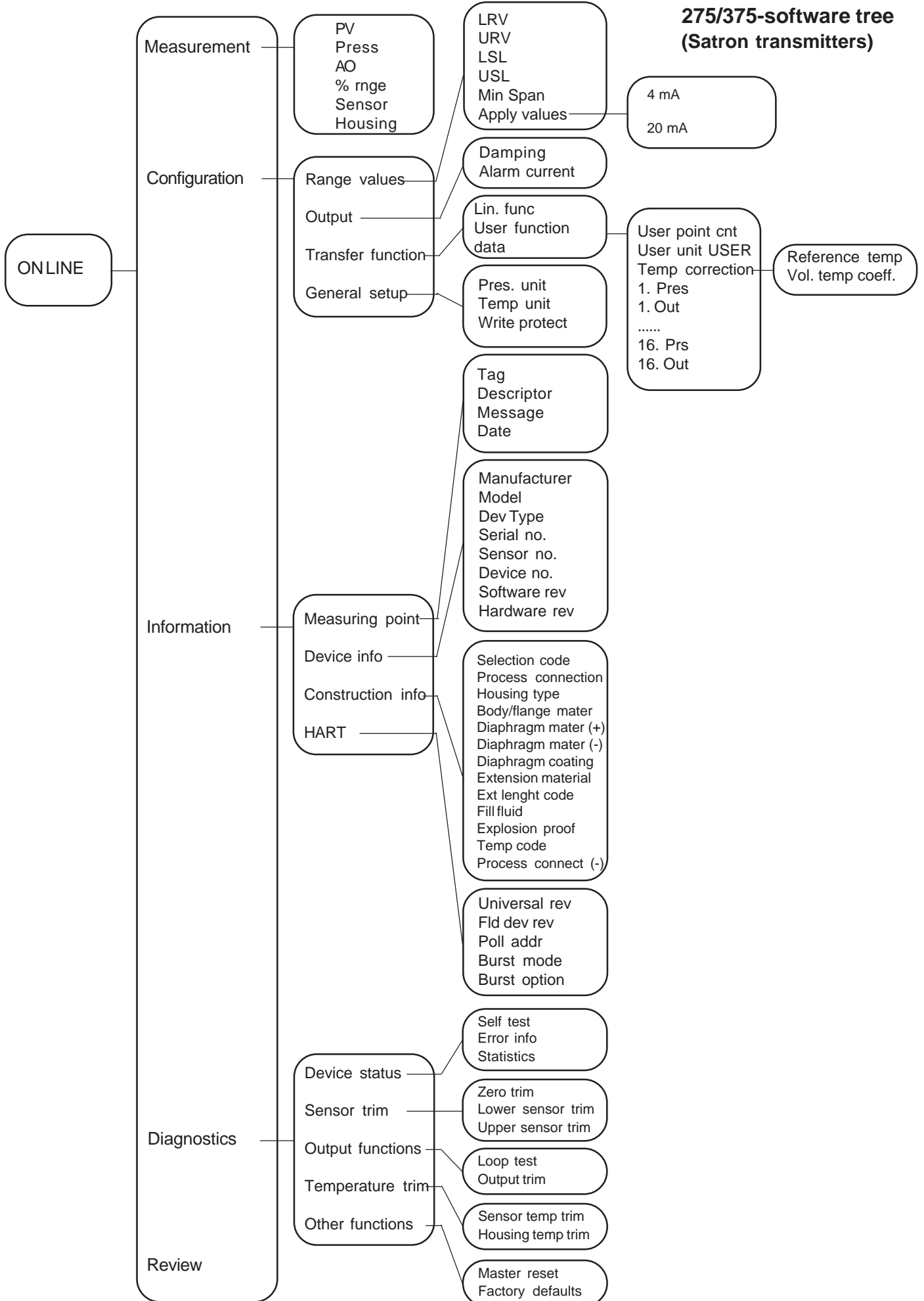


Figure 2-2 Calibration connections window

275 software tree (Valmet transmitters)



275/375-software tree (Satron transmitters)



3. CONSTRUCTION AND OPERATION

Sensor Module

The piezoresistive sensor, which has a silicone oil fill, is isolated from the process with a diaphragm. Sensor pressure and temperature are measured with a 24-bit AD converter. Linearity and temperature effects are digitally corrected with an internal microprocessor connected to the sensor module.

The **sensor** converts pressure to electrical signal. The conversion is carried out through a Wheatstone bridge supplied with direct current. The elastic displacement produced in the bridge by the pressure causes bridge unbalance which is measured as a DC voltage signal.

Compensation includes temperature compensation and linearization. Each sensor is calibrated individually through a resistance network connection. The temperature information required by compensation is derived from a temperature measuring element located by the Wheatstone bridge.

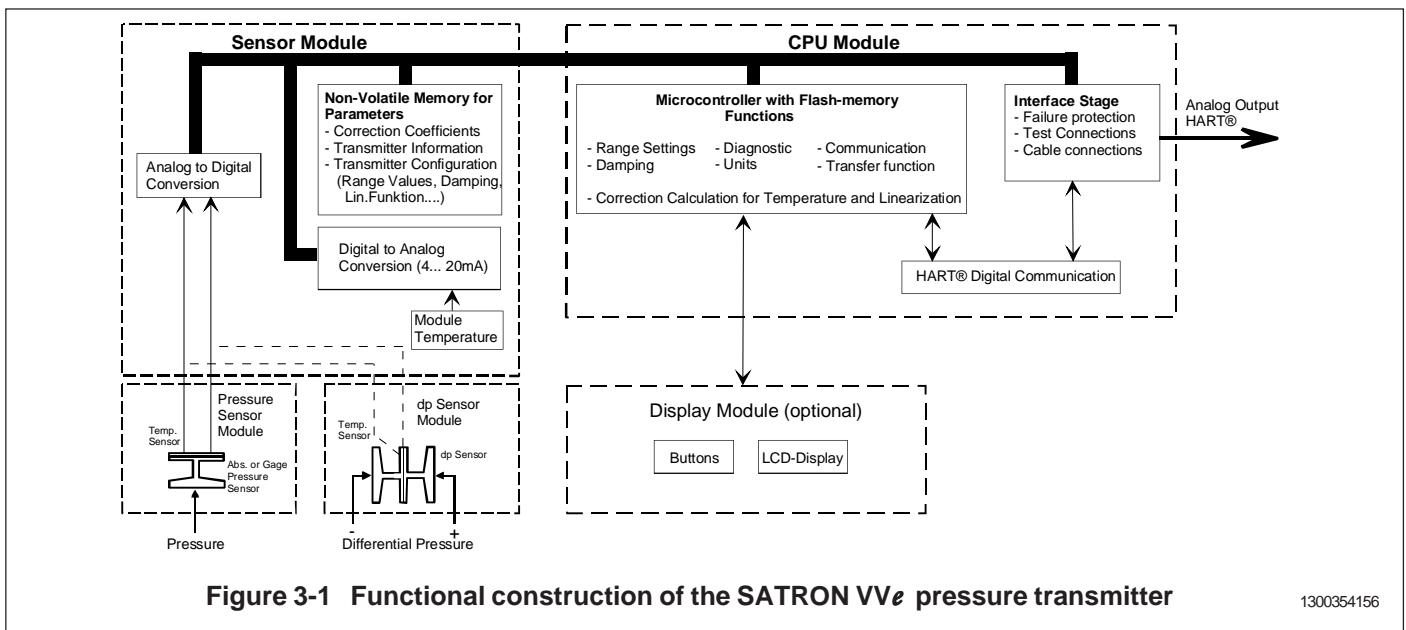
Electronics Module

The electronics module converts the process pressure signal from the sensor module to 4-20 mA output signal. The conversion can be made in linear, square root or inverted mode, or it can be done through user-selectable pressure/output point pairs (2-16 points).

Transmitters provided with own display (code **N**) is equipped with operating keys that allow you to define the transmitter's all functions.

The active functions required for **signal shaping** are in a customized IC which is divided into two sub-blocks: amplifier block and standard-signal shaping block. The standard-signal shaping block also includes zero, span and damping adjustments.

The **interface stage** includes failure protections to ensure the transmitter's operation and nonfailure in possible failure conditions. This stage also includes the TEST and cable connections



4. PARTS LIST

When ordering spares, please quote this document's number BLV810AV and date 15.2.2013, the name and order number of the required part, and the transmitter's serial number. Parts indicated with asterisk (*) as well as screws, nuts and seals (packings) are spare parts.

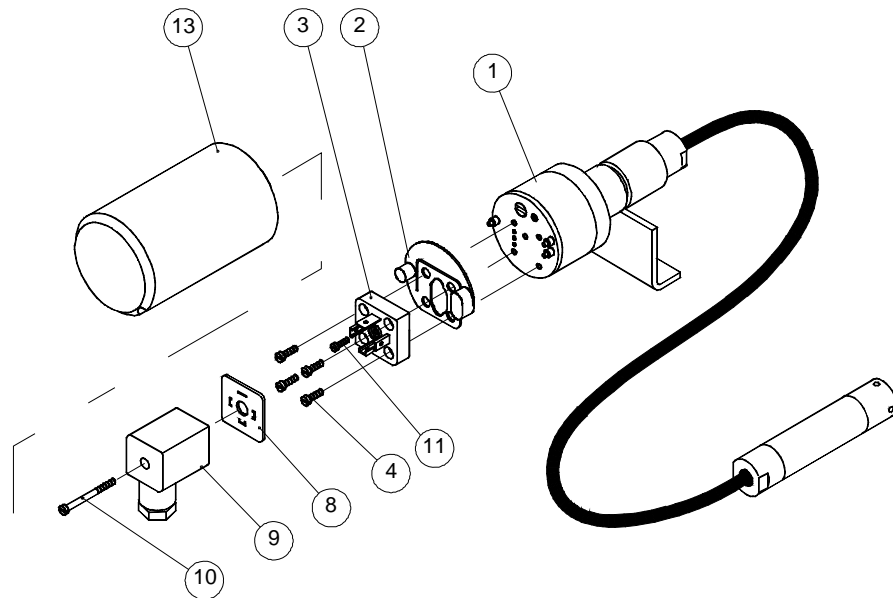


Figure 4-1 Parts list: Housing with PLUG connector, code H

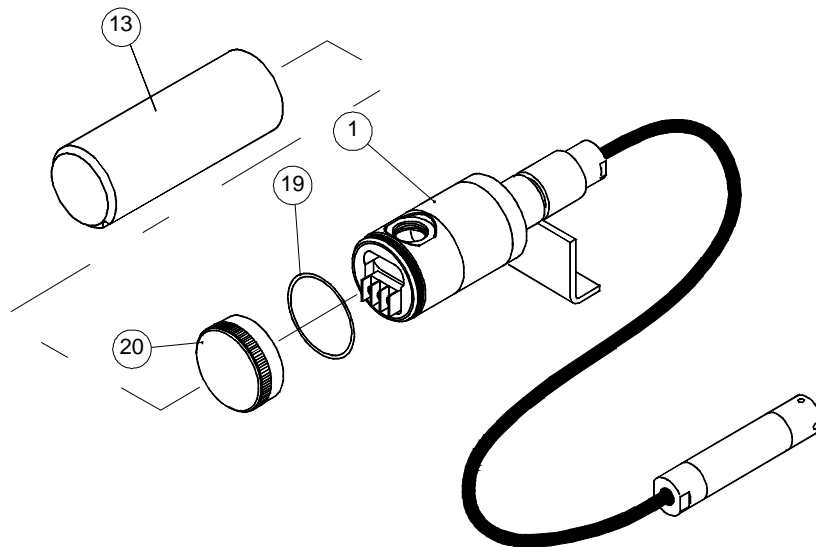


Figure 4-2 Parts list: Housing with junction box, code M

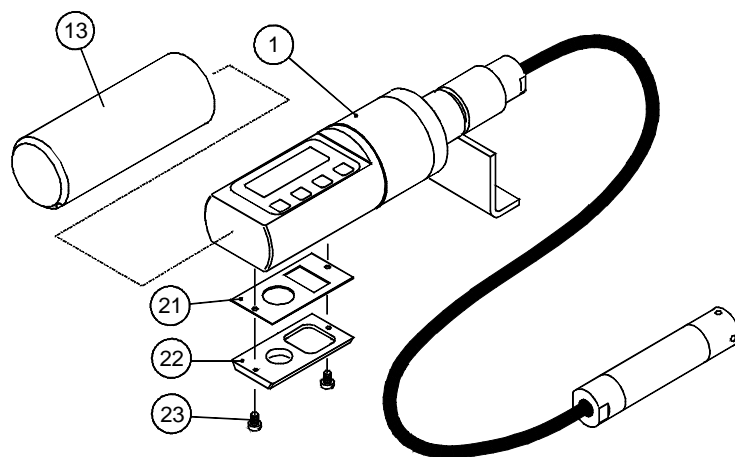


Figure 4-3 Parts list: Housing with junction box and display, code N

Number	Name	Order number	Number	Name	Order number
1	Sensing element		19	O-ring, 42x2 FPM (Viton®)	80013800
2	Seal	T1300207	* 20	Cover M	T1300256
* 3	Device plug DIN43650	72900114	21	Seal, Silicone rubber	T1300387
4	Cylinder-head screw M3 x 10 SFS2179 Zne	51603021	* 22	Back plate V	T1300391
			23	Fastening screw M4	T1325347
8	Seal GDM3-17,silicone	72900116			
* 9	Wiring box GDM3009, DIN43650	72900111			
10	Cylinder-head screw S M3 x 35 SFS2179 A4	51723053			
11	Cylinder-head screw S M3 x 4 VSM 13302 Zne	51613009			
* 13	Protection cup, housing H, M and T	T1300295			
* 13	Protection cup, housing N	T1300400			



Satron Instruments Inc.

P.O.Box 22, FIN-33901 Tampere, Finland
Tel.int. +358 207 464 800, Telefax +358 207 464 801
www.satron.com, info@satron.com

