

PASVE® S P Sampling Valve

Installation and Operating Instructions



Contents :

- 1 TECHNICAL DATA
- 2 TECHNICAL SPECIFICATIONS
- 3 DIMENSIONS
- 4 MOUNTING OF PASVE® S P
- 5 PARTS LIST
- 6 INSTRUCTIONS FOR THE SAFE USE

1. Technical data

PASVE® S P is a miniature ball valve using a specially designed hygienic rubber septum to take aseptic samples with a hypodermic needle from your process without interrupting the process.

The PASVE® S P can be used in any industrial process where it is necessary obtain a sample from the process which is not influenced or contaminated from any outside disturbances

The PASVE® S P is a member of the Satron PASVE® Series, which is commonly used with pH probes, oxygen sensors and Satron's high precision pressure and level transmitters.

2. Technical Specifications

Materials:

Housing: AISI316L

Gasket: PTFE / Silicone or EPDM rubber seal

Max. process pressure:

10 bar (150 psi)

(subject to type of rubber septum selected)

Max. process temperature:

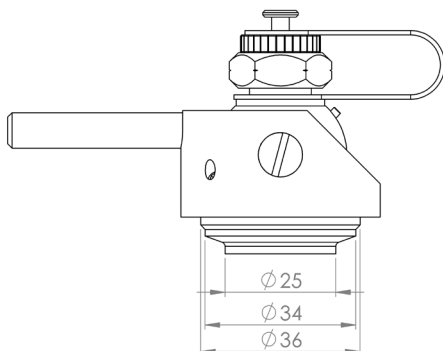
120 °C (250 °F) (subject to type of rubber septum selected)

European Directive Information

European Pressure Equipment Directive (PED) (2014/34/EU)

- Sound Engineering Practice

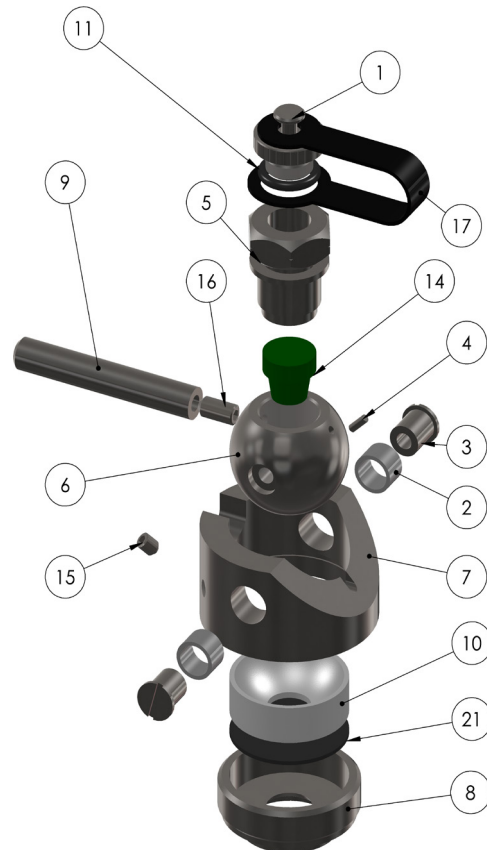
3. Dimensions



4. Mounting of PASVE® S P

PASVE® SP is welded on a pipe or tank wall.

5. Parts list PASVE® S P

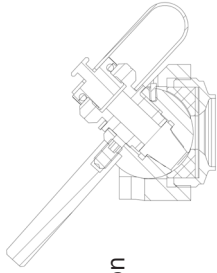


Part No	Part name	Part code
1	Shut-off plug	V10103003
2	Bearing	T1010346
3	Shaft	T1010347
4	Lock pin	V10103006
5	Special nut	T1010348
6	Valve ball	T1010342
7	Valve body	T1010345
8	Coupling part for welding	V10103016
9	Lever arm	V10103011
10	PTFE gasket	V10103012
11	O-ring Ø 11.3 x 2.4 NBR	80001101
14	Septum rubber	V10103014
15	Locking screw	53002390
16	Retaining screw	53002510
17	EPDM fastener	T1010349
21	Rubber seal EPDM/Silicon	T1010331

6. Instructions for the safe use

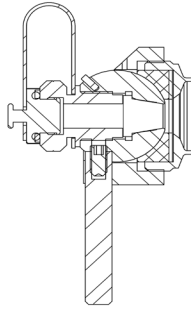
6.1 Taking the sample

Figure 6-1



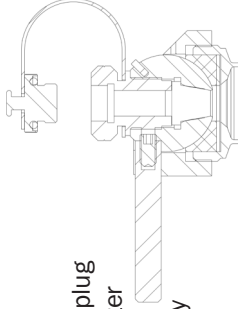
Turn the valve to the sample taking position

Figure 6-2



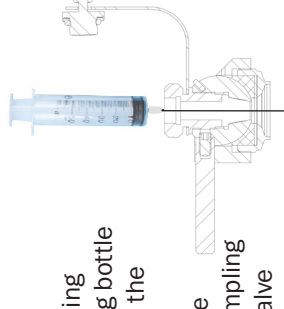
PASVE® in the sample taking position

Figure 6-3



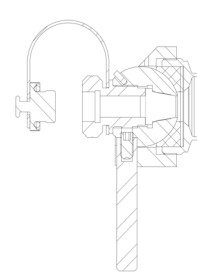
Open the shut-off plug by turning it counter clockwise
Do not remove any other parts!

Figure 6-4



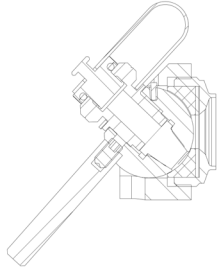
1. Push the sampling needle of sampling bottle or syringe through the septum rubber
2. Take the sample
3. Remove the sampling needle from the valve

Figure 6-5



Close the shut-off plug by turning it clockwise

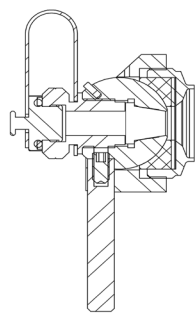
Figure 6-6



Turn the valve back to the maintenance position

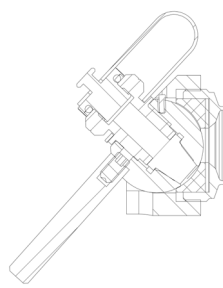
6.2 Changing the rubber septum

Figure 6-7



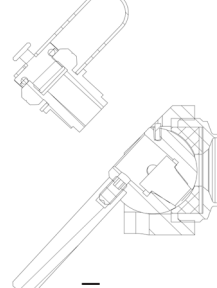
PASVE® in the sample taking position

Figure 6-8



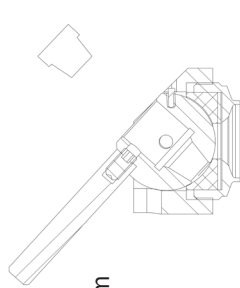
Turn the valve to the maintenance position

Figure 6-9



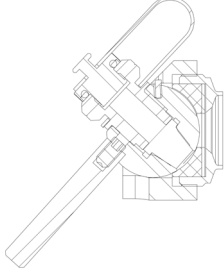
Remove the special nut V by rotating it clockwise

Figure 6-10



Replace the septum rubber

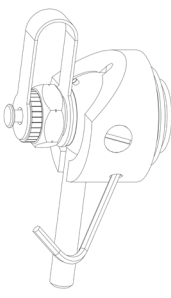
Figure 6-11



Install the special nut V by rotating it counter clockwise until metal to metal contact is reached

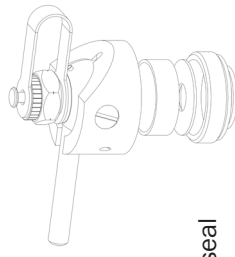
6.2 Changing the gasket and rubber seal

Figure 6-12



Open the locking screw on the side of the valve

Figure 6-13

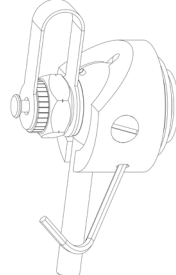


1. Remove the top part of the valve from the coupling part by turning it counter clockwise
2. Change the rubber seal and gasket.

Wipe the surface under the rubber seal with alcohol to make sure it is grease free. Install the PTFE gasket on top of the rubber seal.

3. Reinstall the top part, part should be tightened to 10 Nm.

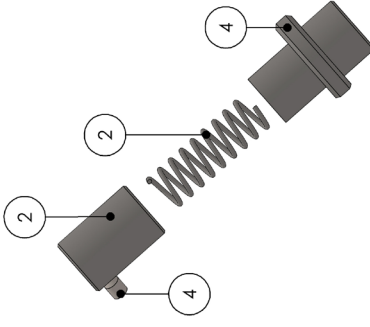
Figure 6-14



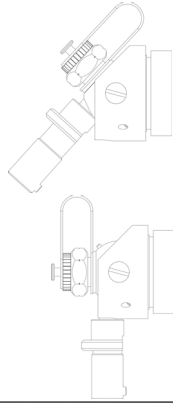
Tighten the locking screw on the side of the valve

Optional: TURN-LOCK

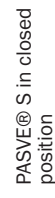
Turn-lock is used to prevent accidental turn of the valve to the sample taking position



Part#	Part name	Code
1	Pull-out sleeve	T1010338
2	Spring	T1010341
3	Locking sleeve	T1010339
4	Retaining screw	53002440
Protection kit 2, assembly		M1010042



PASVE® S in open position



PASVE® S in closed position

Operating PASVE® S with turn-lock:
For closing: Pull back sleeve and lift up

To open: Pull back sleeve and push down

Please note: Pictures illustrate operational principles only, not accurate drawings